

PAD V_{apour}



Distributed by

PAUL AGNEW | DESIGNS[®]

info@livingfire.gr | www.livingfire.gr

PAD V_{apour}

Paul Agnew Designs brings you the ultimate in eco-friendly, safe, and visually stunning fireplaces with our vapor fire collection.

Unlike traditional fireplaces, vapour fire doesn't emit heat or smoke, making it a perfect choice for modern homes and spaces where safety and elegance are key.

Our range fits seamlessly into indoor and outdoor designs, offering flexibility and unmatched ambiance.

Realistic 3D Flames Without the Fire. Our water vapour fireplaces use ultrasonic technology and LED lighting to create vibrant, mist-based flames. With 30+ color presets, you can set the perfect ambiance with a remote or smartphone app.

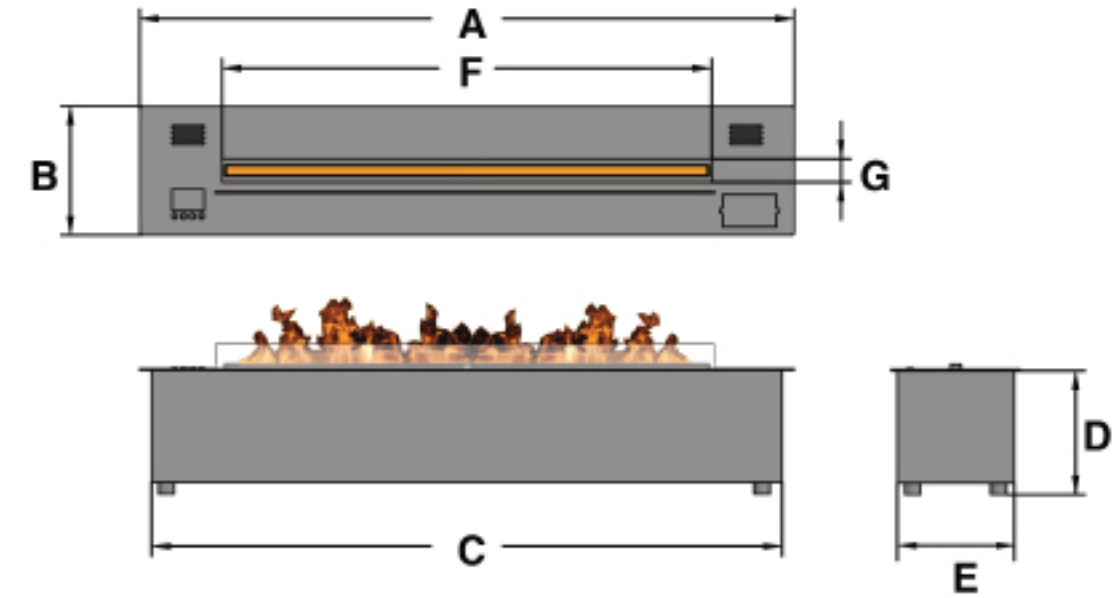
Ventless and Chimney-free makes this easy to install and perfect for any room. Its 360° view allows you to enjoy the mesmerizing flames from anywhere in the room.

High-Tech Control at Your Fingertips allows control of your fireplace with Wi-Fi, remote, or touch screen. Our app lets you customize flame size, color, and brightness for any mood.

Eco-Friendly and Pet-Safe ensure no emissions or pollutants, our water vapour fireplaces are safe for kids and pets and align with eco-friendly living.

Transform Your Ambiance Today with vapour fire bringing ambiance, convenience, and eco-friendliness to your home. Enjoy realistic flames with a modern, high-tech twist.

PAD Vapour dimensions



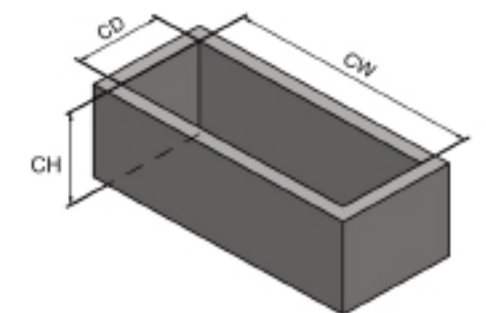
MODEL	A	B	C	D	E	F	G	WEIGHT (KG)
PAD-V60	620	250	575	230	216	350	32	22
PAD-V80	820	250	775	230	216	550	32	25
PAD-V90	920	250	875	230	216	650	32	27
PAD-V100	1020	250	975	230	216	690	32	29
PAD-V110	1120	250	1075	230	216	790	32	33
PAD-V120	1220	250	1175	230	216	890	32	35
PAD-V130	1320	250	1275	230	216	990	32	38
PAD-V140	1420	250	1375	230	216	1090	32	41
PAD-V150	1520	250	1475	230	216	1190	32	43
PAD-V180	1820	250	1775	230	216	1490	32	52
PAD-V200	2020	250	1975	230	216	1690	32	65
PAD-V230	2320	250	2275	230	216	1990	32	72

HOUSING DIMENSIONS

The minimum housing cavity opening requirements

CW - C + 10mm
 CH - D + 60mm
 CD - E + 10mm

*CW - Cavity Width; CH - Cavity Height; CD - Cavity Depth
 All dimensions are given in mm



By **PAUL AGNEW** | DESIGNS